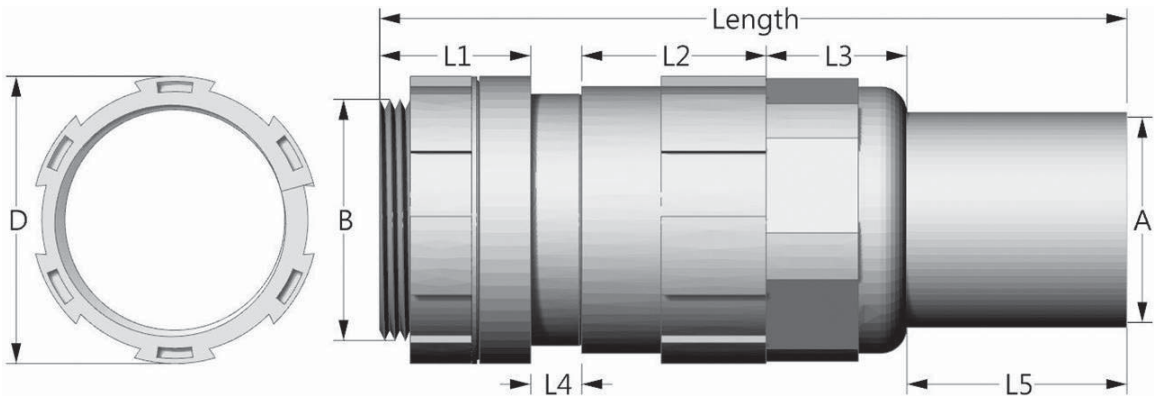


HCGS system (Cable Gland Integrally having a HeatShrinkable tube)



Application

For use all types of unarmored cables
 Entry Thread : PF
 Material : PBT GF15%(non-blooming)
 Ingress Protection : IP66



Type and Designation : HCGS classification (length, Hole Size)

HCGS			CABLE Entry Size (A)	Entry Hole Size (B)	Hexagon Dimensions (D)	Length				
Type	Cable dia. Outer Min Max	(L1)				(L2)	(L3)	Max (L4)	(L5)	
HCGS 10	5 12	13	20	28	14.5	20	16.5	4.5	36	
HCGS 20	10 17	18	25	34	17	24	17.5	6.5	36	
HCGS 25	15 22	23	32	42	22	28	19.0	7.5	36	
HCGS 30	20 28	29	41	50	26	32	25.0	9.0	43	
HCGS 35	26 36	37	47	56	29.5	36	27.5	9.5	43	
HCGS 40	34 45	47	59	70	33	40	32.0	10.5	53	
HCGS 50	43 57	59	74	86	36	50	37.0	15.5	53	
HCGS 60	55 76	78	87	100						
HCGS 80	74 93	95	112	130						

Order information

